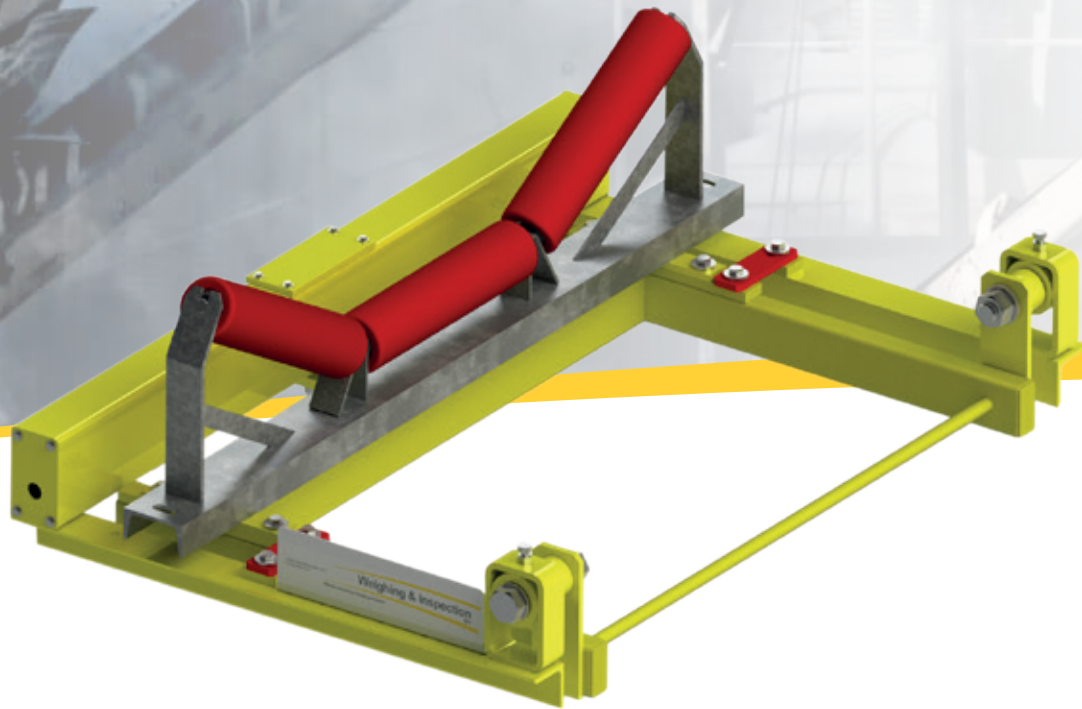


Dynascales.com

Powered by Weighing & Inspection

A BAUCOTECH COMPANY
BAUCOTECH



DYNASCALE approved precision beltweigher model 1020

DYNASCALE BELT SCALE MODEL 1020

The Dynascale belt weighing system model 1020 measures, among other things, feed to crushers, mill, sieves and other processes with accuracies as low as 0.5%, in the most difficult conditions. The Dynascale process belt scale model 1020 allows you to monitor and control your production while providing information on efficient operations.

The Dynascale belt weighing system model 1020 is designed for process belt weighing in the most complex industrial applications. It allows you to control the supply to your system while providing important information for efficient operations. The Dynascale 1020 belt weigher has the proven reliability of the 1020 weighing frame, together with the 526 speed sensor and the power of versatility of the advanced WI301 weighing electronics. The system is also available in approved version.

Easy installation

The Dynascale belt scale model 1020 is easy to install, indoors or outdoors, on stationary or mobile belts. Its robust construction makes it suitable for the most difficult applications on a wide variety of applications.

The weighing frame

Its sleek and robust construction keeps the 1020 weighing frame fully in line with the conveyor frame.

This one-piece weighing frame is fully assembled at the factory and is quick and easy to install and integrate into the conveyor belt. The weighing frame is designed to provide additional support and reinforcement to the belt structure, thus minimising deviations.

The weigh frame 1020 offers three-point support by using 1 loadcell and 2 low-friction closed pivot points. These are insensitive to vibration, moisture and product accumulation, unlike many other systems.

Applications

- Crushing plants
- Chemical plants
- Asphalt plants
- Mining
- Cement plants
- Coal and iron handling
- Paper mills
- Gypsum factories
- Sand and gravel companies
- Ore extraction
- Loading and unloading plants

The belt speed sensor

The WIS526 digital speed transducer is the most reliable and accurate speed transducer ever developed for use with belt weighers. By directly connecting the transducer to the belt reversing roller or a return roller, you are guaranteed an accurate belt run reading. No wheels running over the belt, preventing problems caused by product accumulation or belt slip.

Advantages

Weighing frame:

- No moving or wearing parts
- Precision loadcell loaded on pull guarantees optimal alignment and accuracy
- Total displacement of the weighing trough frame is less than 0.1 mm
- Compact design to minimise product accumulation
- Optional : calibration device

Speed sensor:

- Compact design in stainless steel, suitable for outdoor installation
- High number of pulses for high accuracy

The Integrator:

The WI301 integrator is a weight integrator for dynamic weighing systems. By integrating the mV signal from the load cells in the weighing frame and the pulse signal from the speed sensor, the WI301 integrator generates a readout for the product flow in e.g. tonnes/hour. It is also possible to read out the belt load (kg/m), belt speed (m/s) and the daily counter or total counter (kg or Ton). The integrator can also be equipped with various optional boards for e.g. communication purposes. The integrator can be used for both approved and non-approved applications.

Accuracy guarantee:

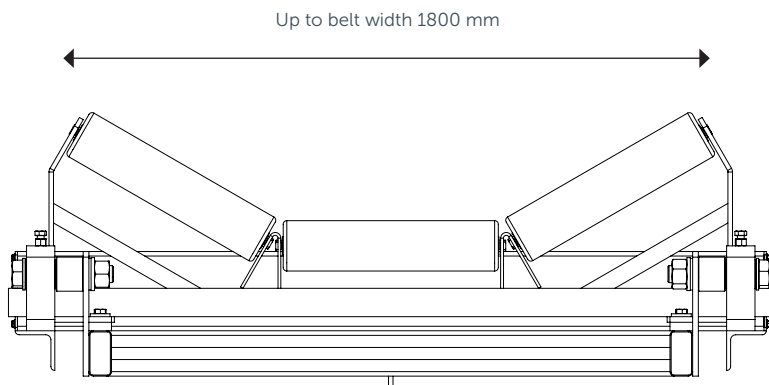
On installations approved by us, we guarantee that the 1020 belt weighing system weighs and counts within a value of +- 0.5% of the test value. Calibration should be done via a known test weight, or static calibration.



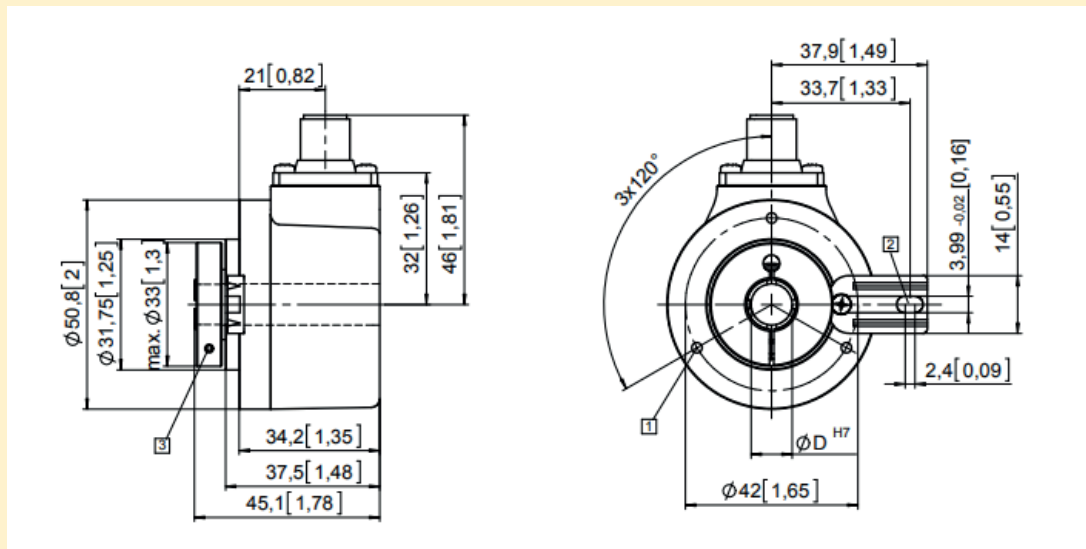
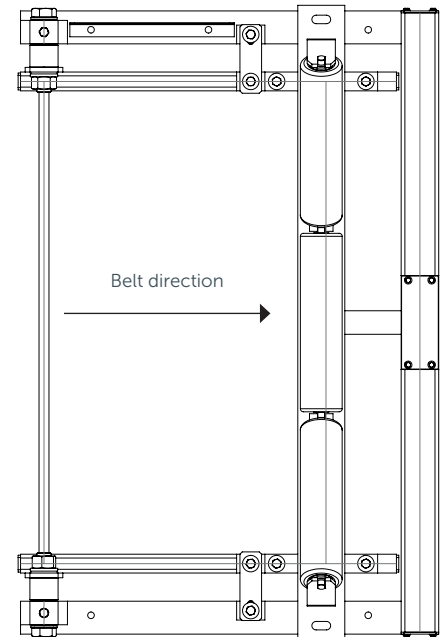
WI301 Weighing indicator,
Field - version



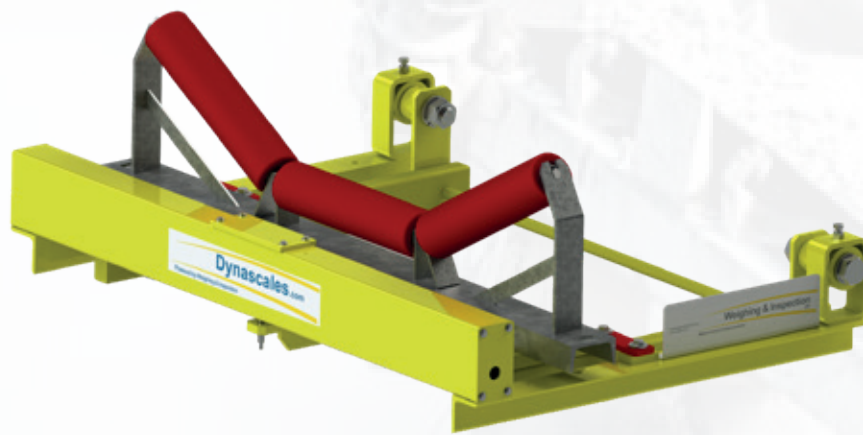
Digital speed sensor WIS526



Weigh frame



Safety-Lock™	High rotational speed	-40°...+85°C	IP	High shaft load capacity	Shock / vibration resistant	Magnetic field proof	Short-circuit proof	Reverse polarity protection	Optical sensor



Specifications

Specifications	
Dynascale 1020 weighing frame	
Weighing section	Single trough frame weighing frame
Weighframe design	Composed of a weighing platform suspended in pivots and a support beam placed transversely over the conveyor frame. The rigid construction thus reinforces the weighing section of the conveyor
Weighing frame construction	Powder-coated structural steel, optionally galvanised or stainless steel
Space requirement	Applicable in any standard conveyor belt
Loadcell	
Number	1 or 2
Type	S-type, IP65 or IP67
Mounting	Load on traction
Power supply	10 VDC +- 5%
Output	3 mV/V +- 0.1%
Non-linearity	<0.03 % FS
Non-reproducibility	0.01% FS
Operating temperature	-40°C to +80°C
Temperature sensitivity Range	0.0014% FS/°C; Zero 0.0027% FS/°C
Overload Safe	To 150% of load cell capacity; Max. to 300% FS; lateral force max. 50% FS
Belt speed sensor WIS526	
Type	Digital encoder with hollow shaft
Mounting	Directly with a coupling on the output shaft of the reversing drum or a return roller
Housing	Stainless steel housing, IP67
Mounting accessories	Shaft with mounting arm
Weight	Approx. 500 g
Type WI301	
Display	Alphanumeric, 5" colour display
Calibration	Zero points, zero point tracking, resistance simulation, weights, calibration chains or with known quantity of product
Optional communication	mA, profinet, profibus, Ethernet TCP/IP,...
Power supply	110 VAC, 240 VAC or 12-30 VDC
Digital inputs	Up to 3
Digital outputs	Up to 4
Housing	Field mount IP69K (228 x 214 x 124 mm) or panel mounting, IP69K (241 x 180 x 47 mm)
Temperature range	-10°C to +40°C
Approved version (OIML)	available, class 2

Weighing & Inspection

Head Office: Brielstraat 112 - 9990 Maldegem - Belgium - T. +32 50 71 09 20 - F. +32 50 38 25 75 - info@weighingandinspection.eu
 Chaussée de Wavre 362 - 1390 Grez-Doiceau - Belgium - T. +32 10 84 83 90 - F. +32 10 84 83 99
 Netherlands Office: Nikkelstraat 45 - 4823 AE Breda - Netherlands - T. +31 850 441 822