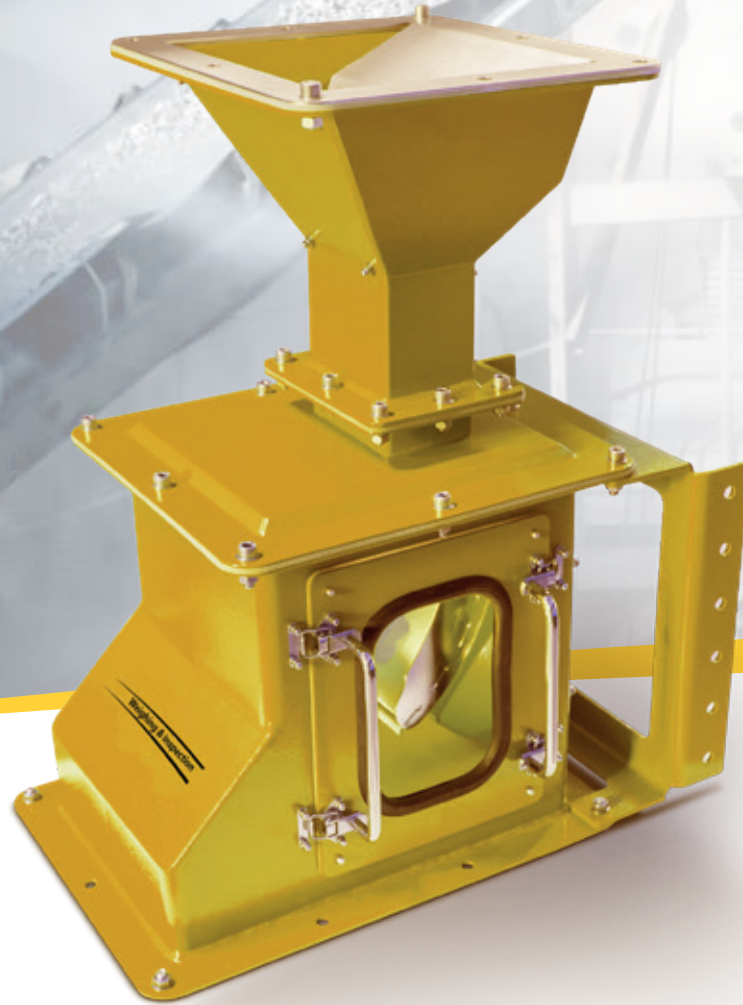


Dynascales.com

Powered by Weighing & Inspection



DYNAFLOW

Solids slide flow meter

DYNAFLOW SOLIDS SLIDE FLOW METER

Solids flow meter for bulk products

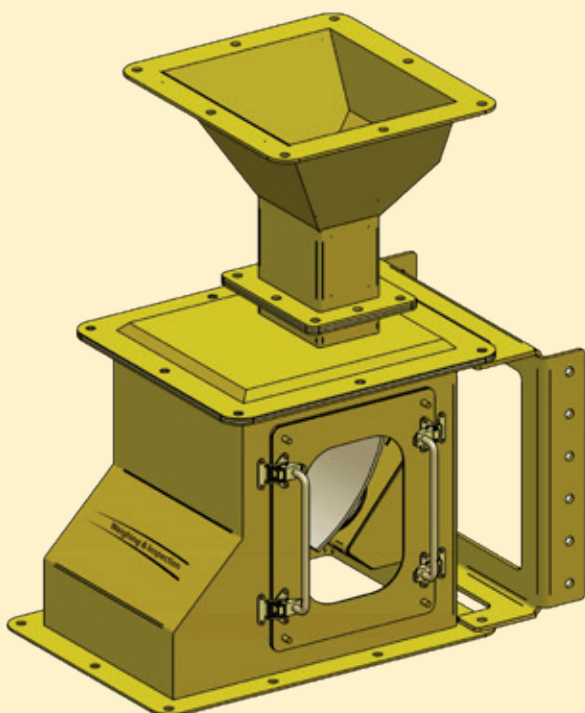
The DynaFlow is a solids flow meter that measures with a high accuracy from $\pm 0,5$ percent. It can be used for most solid bulk products that are free flowing and non-sticky. The DynaFlow calculates flow (tons per hour) and total (kilograms or tons) by moving bulk product within the DynaFlow vertically over a plate with a curved end where the centripetal force is measured.

Advantages

- Nearly zero maintenance and power consumption
- Very stable zero point
- Easy installation
- Compact design, so little installation space required
- Various communication protocols possible
- Adaptive for many environments
- Suitable for ATEX environments
- Special version high product temperatures

Standard features

- Pre-calibrated
- Accuracy up to $\pm 0,5\%$
- Independent from density
- Customer-specific design possible



Applications

- Crushing plants
- Chemical plants
- Asphalt plants
- Mining
- Cement plants
- Coal and iron handling
- Paper mills
- Gypsum factories
- Sand and gravel companies
- Ore extraction
- Loading and unloading plants

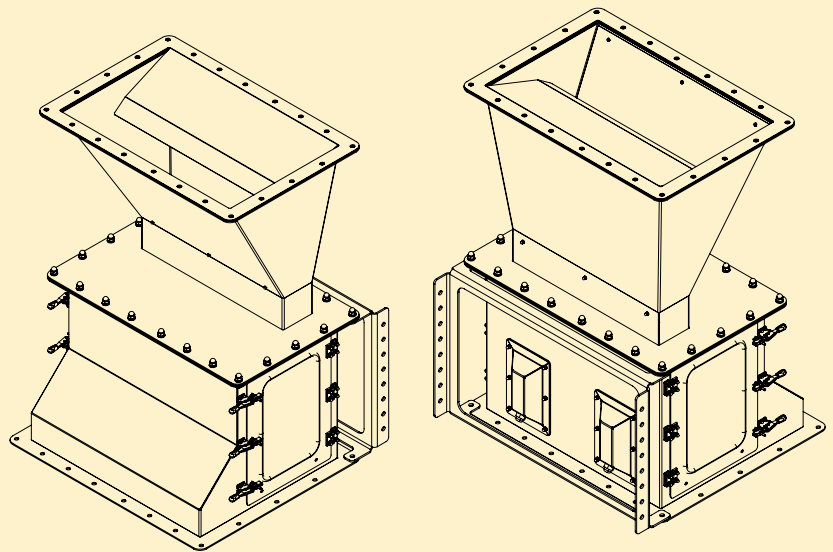
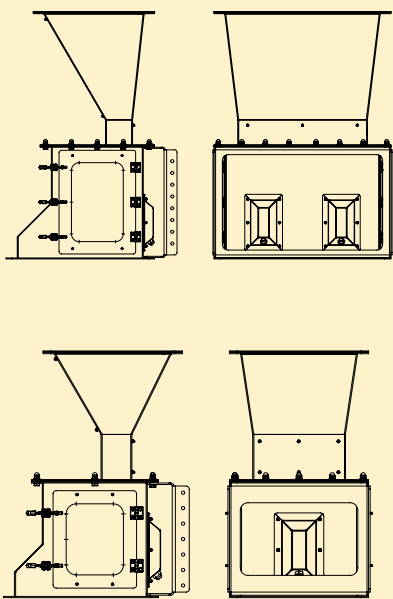
The Integrator

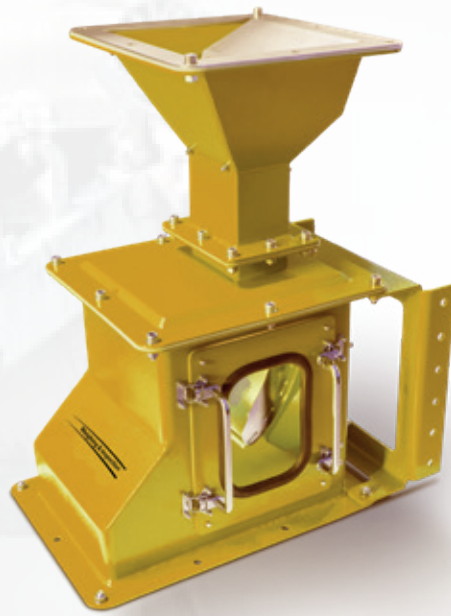
The WI301 integrator is a weight integrator for dynamic weighing systems. By integrating the mV signal from the load cells in the weighing frame and the pulse signal from the speed sensor, the WI301 integrator generates a readout for the product flow in e.g. tonnes/hour.

It is also possible to read out the belt load (kg/m), belt speed (m/s) and the daily counter or total counter (kg or Ton). The integrator can also be equipped with various optional boards for e.g. communication purposes. The integrator can be used for both approved and non-approved applications.



WI301 Weighing indicator,
Field - version





Specifications

Specifications

DynaFlow solids slide flow meter

Type WI301

Display	Alphanumeric, 5" colour display
Calibration	Zero points, zero point tracking, weights, with known quantity of product
Optional communication	mA, profinet, profibus, Ethernet TCP/IP,...
Power supply	110 VAC, 240 VAC
Digital inputs	Up to 3
Digital outputs	Up to 4
Housing	Field mount IP69K (228 x 214 x 124 mm) or panel mounting, IP69K (241 x 180 x 47 mm)
Temperature range	-10°C to +40°C
Approved version (OIML)	Available, class 2

System Dimensions: Height from 320 up to 1250 mm

Construction: Carbon Steel or Stainless Steel anti wear by Hardox, Ceramic, etc.

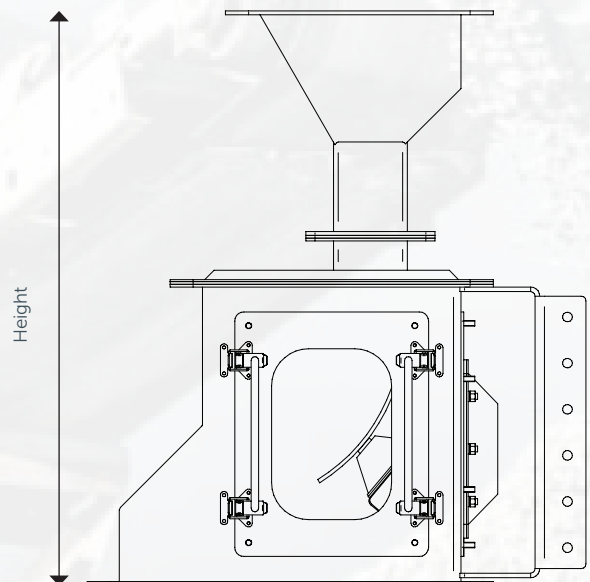
Capacity: from 0.5 up to 600 m³/hr

Speed: -40 to +75°C, optional up to +160°C

Approvals: Ex, ATEX

System Accuracy: Up to maximum $\pm 0,5\%$

Warranty: One-year limited warranty



Weighing & Inspection

Head Office: Brielstraat 112 - 9990 Maldegem - Belgium - T. +32 50 71 09 20 - F. +32 50 38 25 75 - info@weighingandinspection.eu
 Chaussée de Wavre 362 - 1390 Grez-Doiceau - Belgium - T. +32 10 84 83 90 - F. +32 10 84 83 99
 Netherlands Office: Nikkelstraat 45 - 4823 AE Breda - Netherlands - T. +31 850 441 822